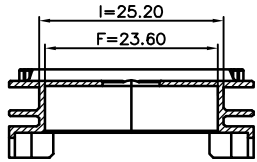
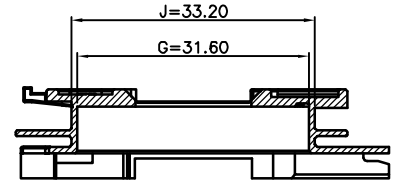
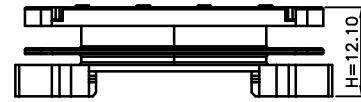
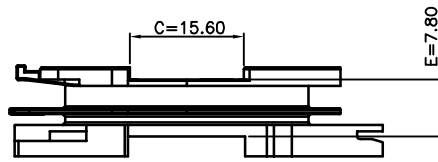
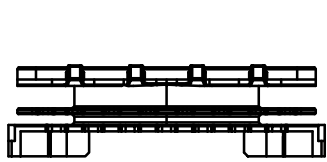
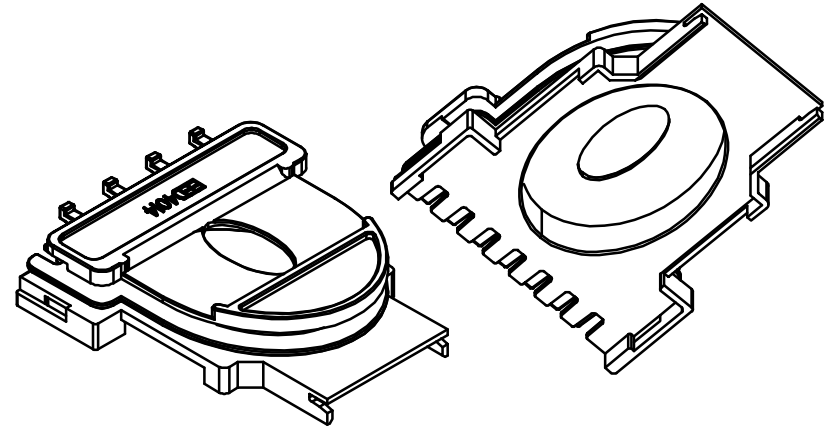
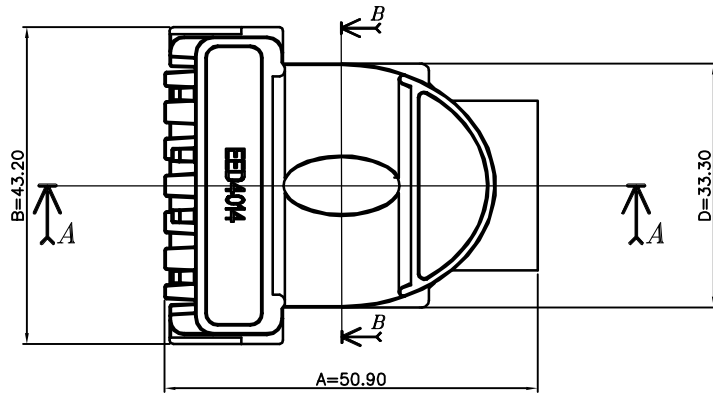


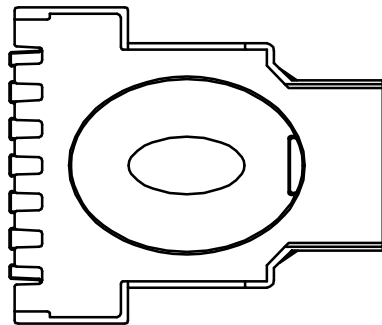
TOLERANCE	
0<L≤16	±0.2
16<L≤50	±0.3
50<L≤63	±0.4
63<L≤76	±0.5
76<L≤100	±0.7



SECTION B-B



SECTION A-A



MARK	REVISION NOTE	DATE	DRAWN	CHECKED	APPROVED
▲					
▲					
▲					
DRAWN	CHECKED	APPROVED	MATERIAL : PET	UL REC. : UL94V-0	THIRD ANGLE PROJ. SCALE : 1/1
KM, Seo	SH, Kim	C, Park	Z : PIN LENGTH (According to customer's request)	DATE : 2015.04.24	PIN TENSILE FORCE : 1.0 Kgf UNIT : m/m
주식회사 대흥보빈 DAE HEUNG BOBBIN CO., LTD.			TITLE EED 40*14 "V" (12P) CAP		DWG NO DH-150625-2097-01